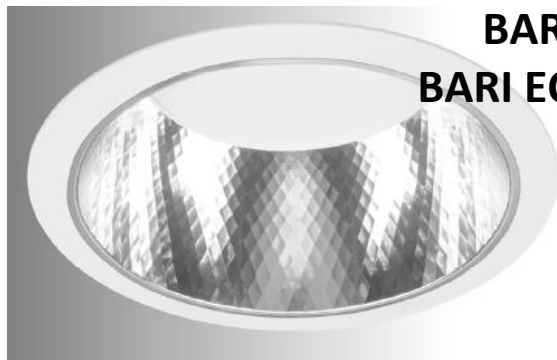
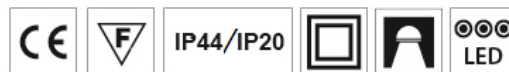
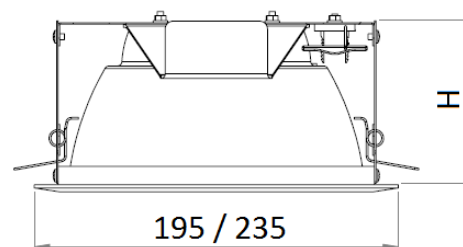


Installation manual



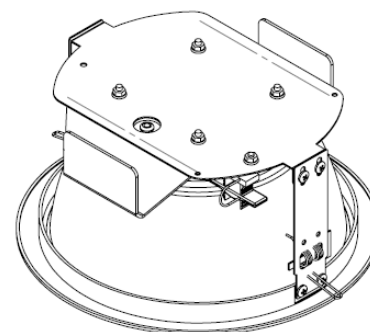
BARI ECO DL LED LOW
BARI ECO DL LED LOW MATT



220-240V/50-60Hz

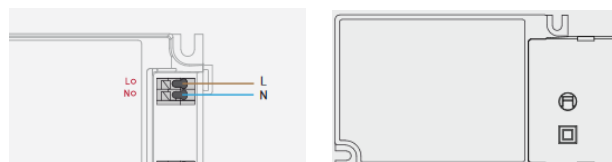
1. Dimensions

Power [W]	Diameter D [mm]	Height H [mm]	Diameter of cut-out [mm]	Weight [kg]
10	195	102	180	0,70
15	195	102	180	0,70
15	235	111	220	0,75
19	235	111	220	0,85
28	235	111	220	0,85



2. Installation

- a) Turn off the power in the circuit.
- b) Connect the power supply to the luminaire accordingly to the markings on the connector.
- c) Tilt the springs up and put the luminaire into the cut-out hole in the ceiling.



Light source can only be replaced or replaced by the manufacturer, qualified personnel or a person authorised to do so by PXF Lighting.

3. Important warnings:

The manufacturer cannot be considered liable for any damages deriving from improper, wrong and unreasonable use of the fitting.

Luminaires may be installed by qualified personnel only.

Any manipulation inside the luminaire when power supply is on causes the risk of electric shock.

Manufacturer is not responsible for any flaws caused by avoid using this manual.

Manufacturer reserves a right to change the construction of the product.

Do not assembly in places without air circulation.

To guarantee safety of luminaire functions, please assembly according to instruction.

The European Directive 2002/96/EC on waste electrical and electronic equipment, requires that electric and electronic devices must be disposed of in the normal household waste. The crossed out wheeled bin is reproduced in order to remember obligations towards separately collection. For correct disposal, please use authorized waste disposal facilities or returned to the distributor at the date a new lighting fitting is purchased. Lamps, if disposed together with the lighting fitting, shall not be broken up since they contain substances which are highly polluting for the environment. Unauthorized disposal of the foregoing waste material is punishable by law.

