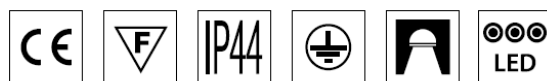
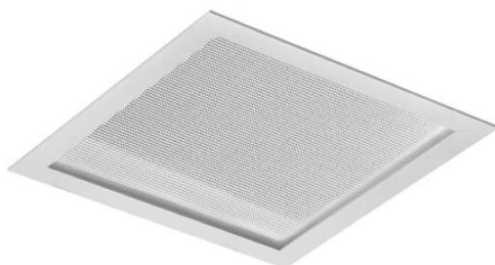
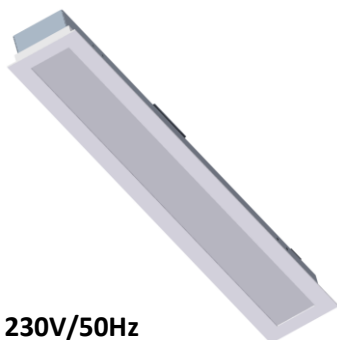


Installation manual

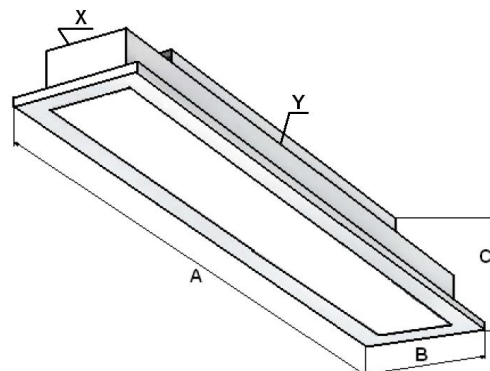
FUZO LED



230V/50Hz

1. Dimensions:

Power [W]	A[mm]	B[mm]	C[mm]	Weight [kg]	Mounting hole dimension X [mm]	Mounting hole dimension Y [mm]
10	240	240	82	1,7	230	230
17	240	240	82	1,7	230	230
18	240	420	82	2,3	410	230
21	420	420	82	3,0	410	410
17	618	91	86	1,7	73	600
24	918	91	82	2,6	73	900
31	1218	91	82	3,5	73	1200
38	595	595	52	4,9	585	585



2. Installation:

- Turn off the power at the circuit, which will be connected to the luminaire.
- Carefully remove luminaire from packaging.
- Connect the power supply according to the markings on the connector as in Fig.1.
- Bend the fastening springs up as in Fig.2.
- Install the luminaire in a hole cut in the ceiling.



Fig.1.

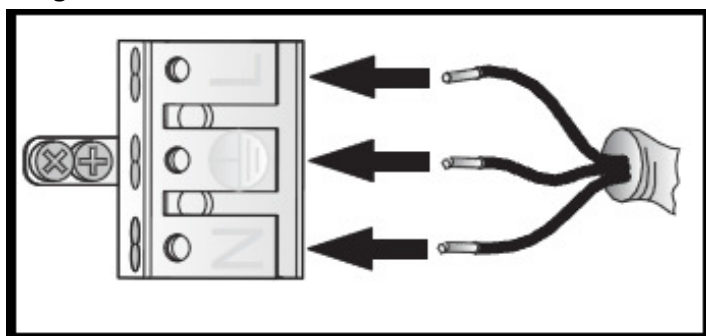


Fig.2.



3. Important warnings:

The manufacturer cannot be considered liable for any damages deriving from improper, wrong and unreasonable use of the fitting.

Luminaires may be installed by qualified personnel only.

Any manipulation inside the luminaire when power supply is on causes the risk of electric shock.

Manufacturer is not responsible for any flaws caused by avoid using this manual.

Manufacturer reserves a right to change the construction of the product.

Do not assembly in places without air circulation.

To guarantee safety of luminaire functions, please assembly according to instruction.



The European Directive 2002/96/EC on waste electrical and electronic equipment, requires that electric and electronic devices must be disposed of in the normal household waste. The crossed out wheeled bin is reproduced in order to remember obligations towards separately collection. For correct disposal, please use authorized waste disposal facilities or returned to the distributor at the date a new lighting fitting is purchased. Lamps, if disposed together with the lighting fitting, shall not be broken up since they contain substances which are highly polluting for the environment. Unauthorized disposal of the foregoing waste material is punishable by law. More details of directive available at: <http://www.gios.gov.pl>

