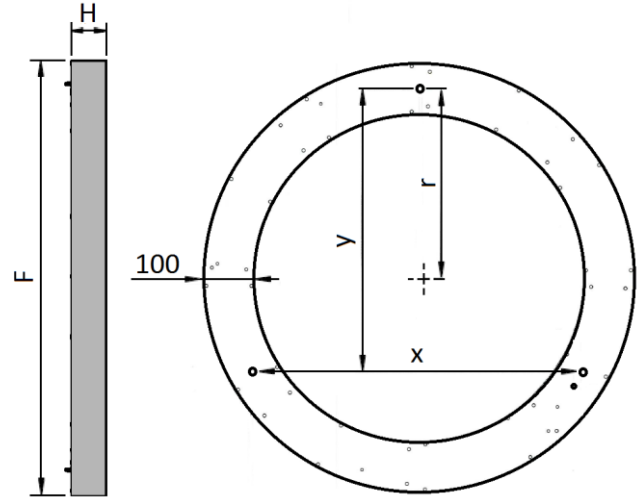
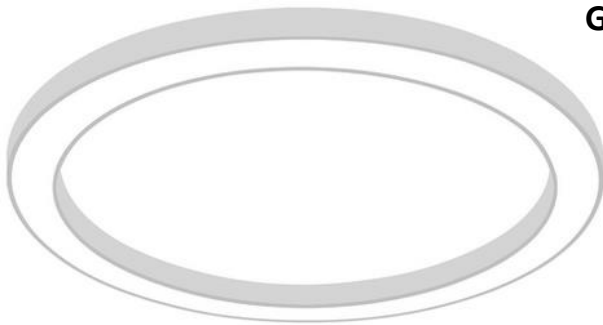


Installation manual
Geometric Ring LED



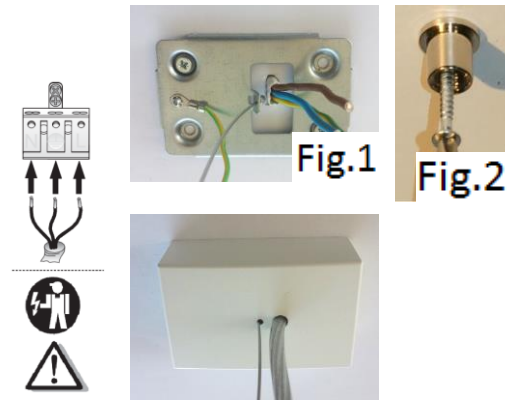
220-240V/50-60Hz LED

1. Dimensions

Power [W]	F	H	r	x	y	Weight(kg)
43; 86	800	60	350	606	525	6,8
70; 140	1200	60	550	953	825	10,5

2. Installation

- a)** carefully take the luminaire out of the package and place it on a stable surface
- b)** fixing the luminaire to the ceiling / power connection:
 - pull the cable through the hole in the base of the electrical suspension (rys.1)
 - using 2 diagonally situated nail anchors, fix the base of the electrical suspension to the ceiling
 - fix 2 simple suspension sets to the ceiling accordingly to distance „x, y”
- c)** loosen the outer nut of the regulator, slide in the wire until achieving desired Length of the suspension and tighten the nut again.
 - Sliding the wire in causes the luminaire to go up,
 - In order to lower it – loosen the nut and push on it – the wire will slide out.
- d)** electrical connection:
 - connect the wires accordingly to the markings and colours



The light source used in the fixture should be serviced and replaced only by the manufacturer or its direct representative or similarly qualified personnel.

3. Important warnings:

The manufacturer cannot be considered liable for any damages deriving from improper, wrong and unreasonable use of the fitting. Luminaires may be installed by qualified personnel only. Any manipulation inside the luminaire when power supply is on causes the risk of electric shock. Manufacturer is not responsible for any flaws caused by avoid using this manual. Manufacturer reserves a right to change the construction of the product. Do not assembly in places without air circulation.



To guarantee safety of luminaire functions, please assembly according to instruction.

The European Directive 2002/96/EC on waste electrical and electronic equipment, requires that electric and electronic devices must not be disposed of in the normal household waste. The crossed out wheeled bin is reproduced in order to remind obligations towards separate collection. For correct disposal, please use authorized waste disposal facilities or return to the distributor at the date a new lighting fitting is purchased. Lamps, if disposed together with the lighting fitting, shall not be broken up since they contain substances which are highly polluting to the environment. Unauthorized disposal of the foregoing waste material is punishable by law.

