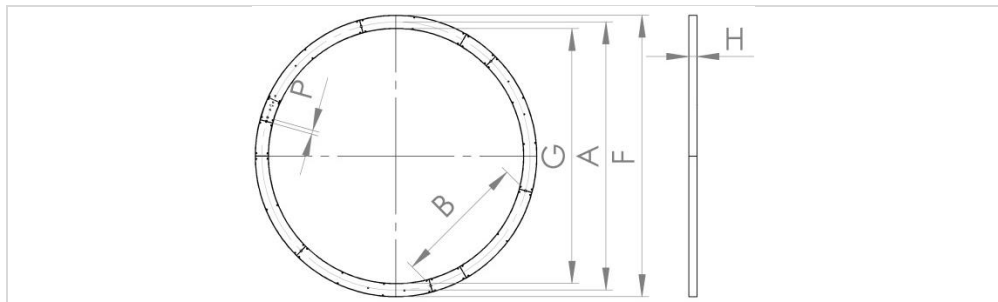




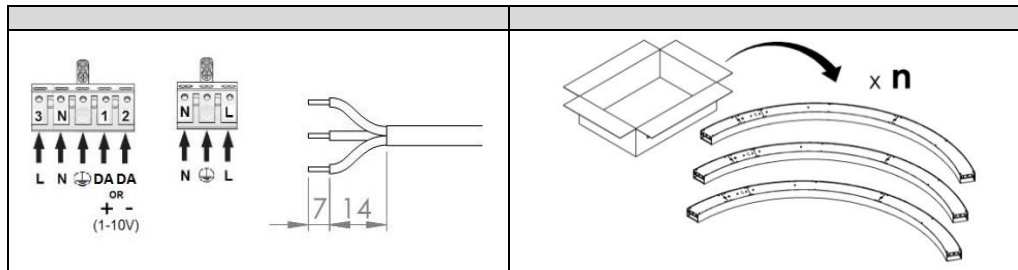
GEOMETRIC RING MAX LED



220-240V / 50-60Hz

Power [W]	F	H	G	A	B	P	n	Weight [kg]
146	1400	62	1200	1300	919	30	2	9,7
166	1600	62	1400	1500	750	30	3	11
220	2100	62	1900	2000	1000	30	3	14,2
300	2800	62	2600	2700	1033	30	4	19
429	4000	62	3800	3900	1010	30	6	27,3
574	5300	62	5100	5200	1015	30	8	36,2

Light source in the fitting cannot be switched or replaced by anyone but manufacturer, his Service representative or similarly qualified personnel.



PLEASE NOTE!

In case of a continuous installation gap up to 2mm between diffusers may occur. The gap won't be visible after the first warm up of the fixture due to thermal expansion of used materials. Given the above it is advised to keep the light lines no longer than 6m. Failing to do so may cause gaps to occur. Minding the above – please note that if the diffuser doesn't have any gap and room to expand before the first power-up – it may fall out.

Important warnings:

The luminaires may be installed by qualified registered personnel only.
 Any manipulation inside the luminaire when the power is activated causes the risk of electric shock.
 The manufacturer is not responsible for any flaws resulting from non-compliance with these instructions.
 The manufacturer reserves the right to change the construction of the product.
 Do not install the luminaire in places without sufficient air circulation.
 To guarantee safe luminaire functioning, please follow the instructions in the installation instructions.

PXF Lighting website: www.pxf.pl

The European Directive 2002/96/EC on waste electrical and electronic equipment, requires that electric and electronic devices must be disposed of in the normal household waste. The crossed out wheeled bin is reproduced in order to remind obligations towards separate collection. For correct disposal, please use authorized waste disposal facilities or return to the distributor at the date a new lighting fitting is purchased. Lamps, if disposed together with the lighting fitting, shall not be broken up since they contain substances which are highly polluting to the environment. Unauthorized disposal of the foregoing waste material is punishable by law.

