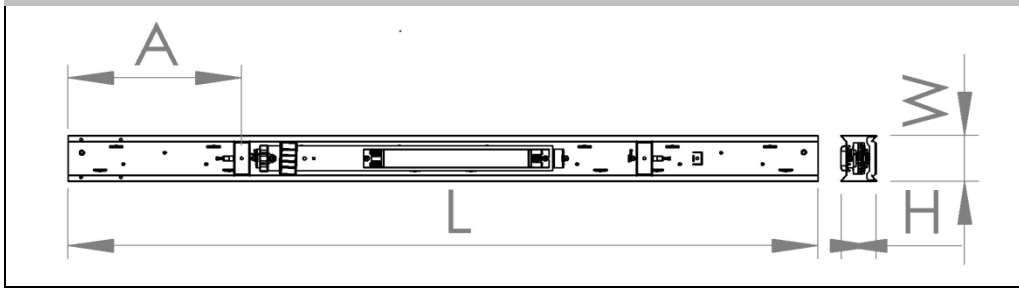


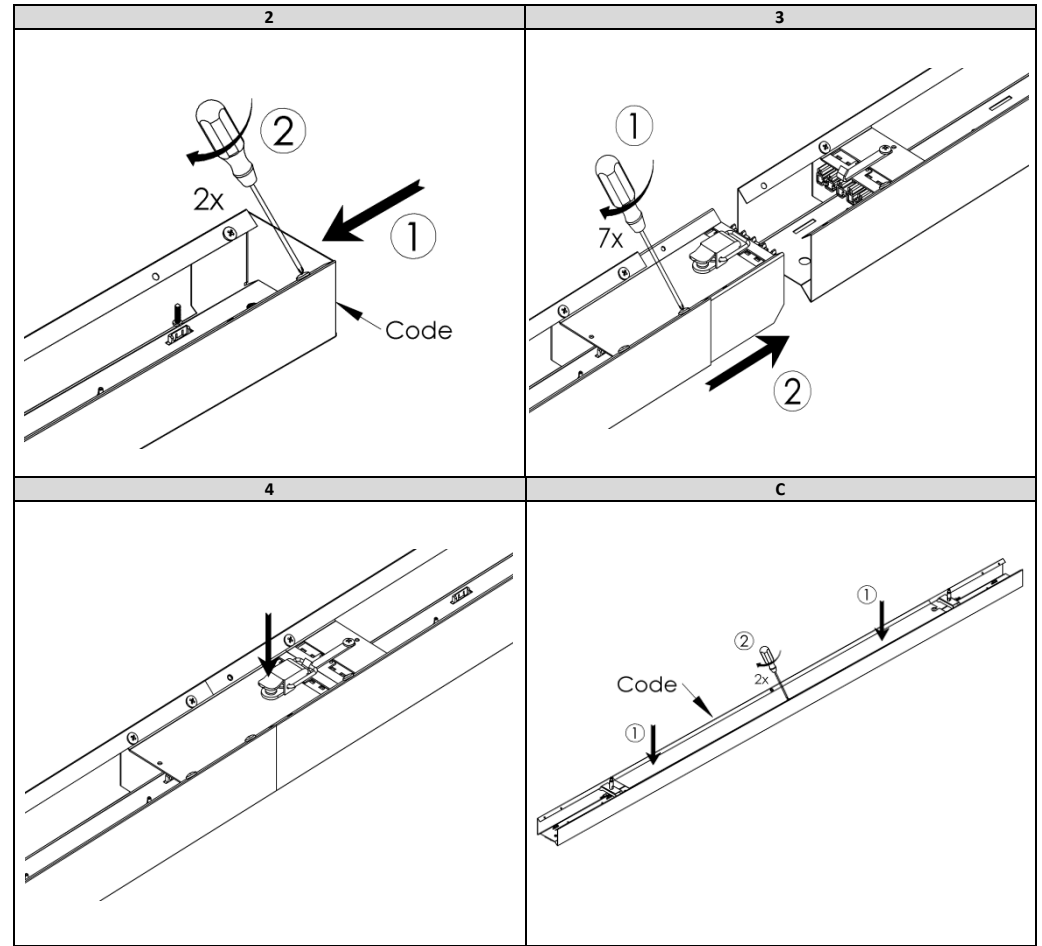
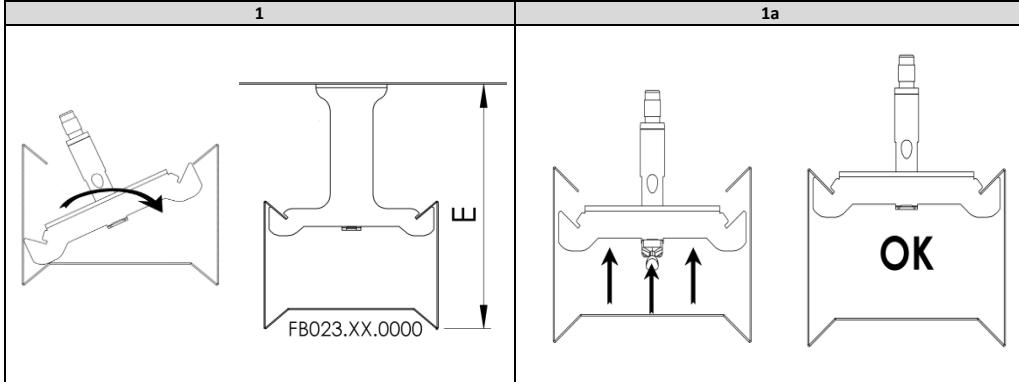
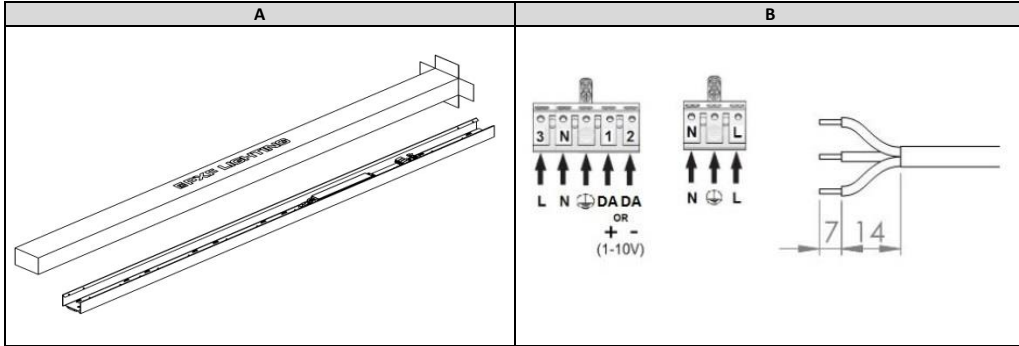
**INSTALLATION MANUAL**



**POKER Q LS LED**



| Power [W]        | L [mm] | W [mm] | H [mm] | E [mm] | A[mm]<br>MIN-MAX | Weight [kg] |
|------------------|--------|--------|--------|--------|------------------|-------------|
| 18/25/38/54      | 1132   | 73.5   | 54     | 105    | 100-250          | 2           |
| 27/37/55/78      | 1692   | 73.5   | 54     | 105    | 100-250          | 2,8         |
| 44/61/88/130/182 | 2812   | 73.5   | 54     | 105    | 100-300          | 4           |



Light source used in this luminaire should be changed by the producer or its service representative or similarly qualified person. Installation kit supplied with the luminaire does not include anchors for ceiling installation.

**Important warnings:**  
 The luminaires may be installed by qualified registered personnel only.  
 Any manipulation inside the luminaire when the power is activated causes the risk of electric shock.  
 The manufacturer is not responsible for any flaws resulting from non-compliance with these instructions.  
 The manufacturer reserves the right to change the construction of the product.  
 Do not install the luminaire in places without sufficient air circulation.  
 To guarantee safe luminaire functioning, please follow the instructions in the installation instructions.  
 PXF Lighting website: www.pxf.pl

