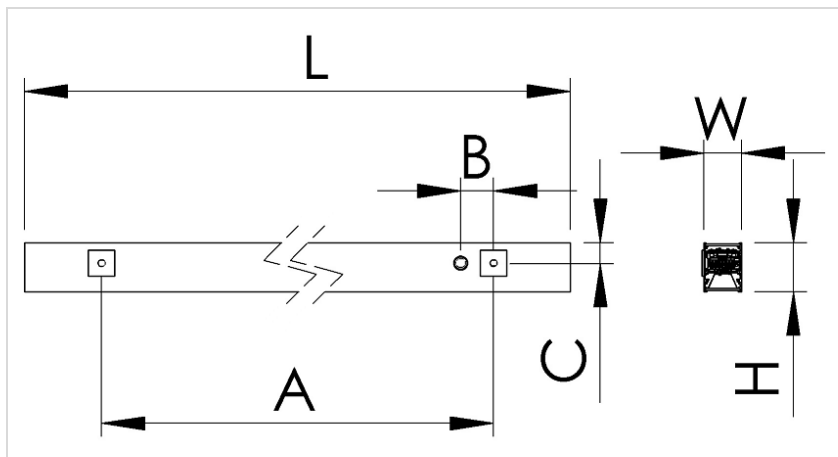
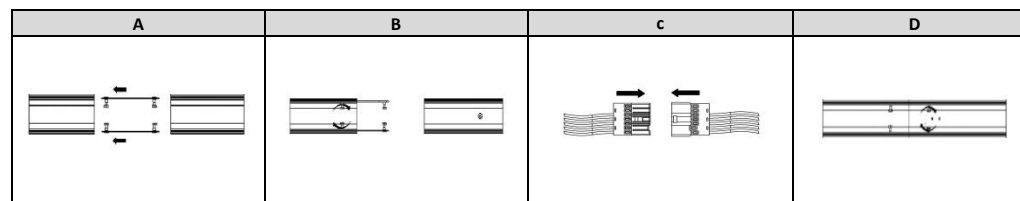
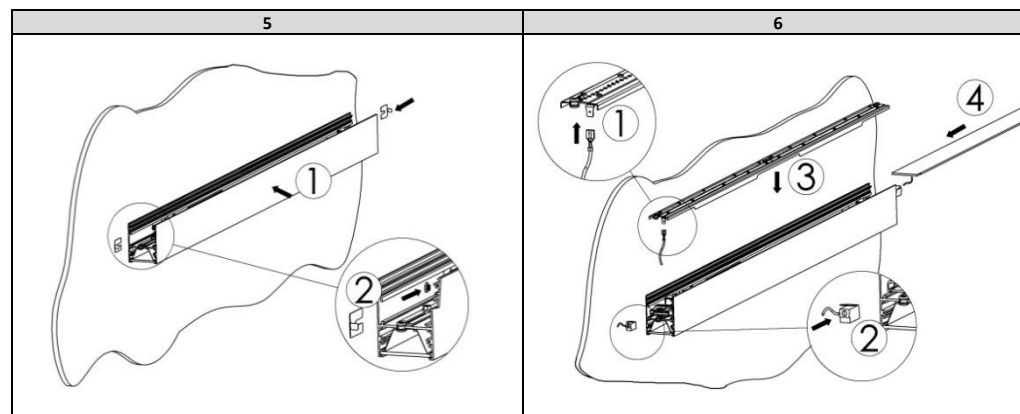
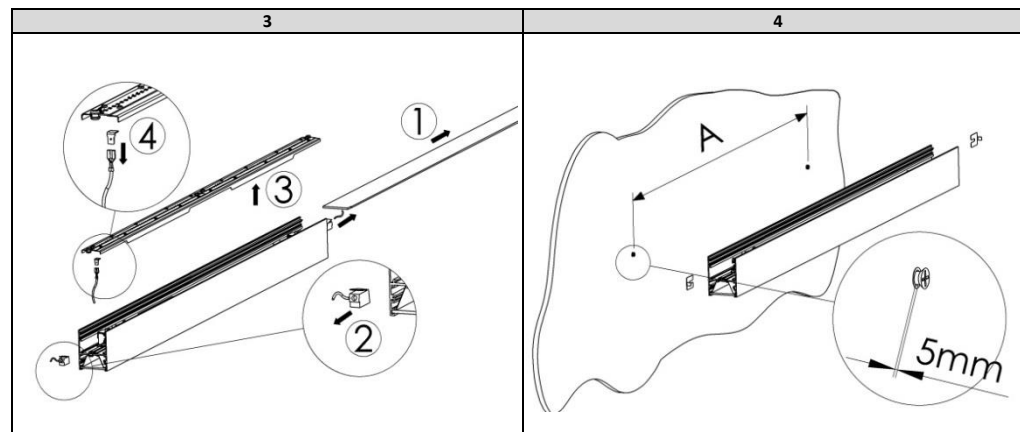
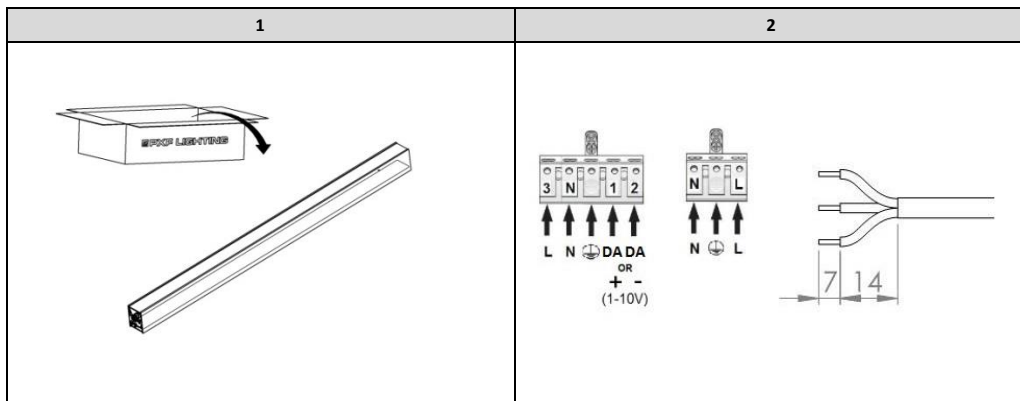




**SIGMA II WALL DI-IN LED**



Power [W]	L [mm]	W [mm]	H [mm]	A [mm]	B[mm]	C[mm]	Weight [kg]
25W	545	60	75	425	50	31	1,5
48W	1085	60	75	850	50	31	2,7
68W	1625	60	75	1275	50	31	3,8
90W	2170	60	75	1700	50	31	5,5



Light source used in this luminaire should be changed by the producer or its service representative or similarly qualified person.

**Important warnings:**

- The luminaires may be installed by qualified registered personnel only.
- Any manipulation inside the luminaire when the power is activated causes the risk of electric shock.
- The manufacturer is not responsible for any flaws resulting from non-compliance with these instructions.
- The manufacturer reserves the right to change the construction of the product.
- Do not install the luminaire in places without sufficient air circulation.
- To guarantee safe luminaire functioning, please follow the instructions in the installation instructions.

PXF Lighting website: [www.pxf.pl](http://www.pxf.pl)



The European Directive 2002/96/EC on waste electrical and electronic equipment, requires that electric and electronic devices must be disposed of in the normal household waste. The crossed out wheeled bin is reproduced in order to remind obligations towards separate collection. For correct disposal, please use authorized waste disposal facilities or return to the distributor at the date a new lighting fitting is purchased. Lamps, if disposed together with the lighting fitting, shall not be broken up since they contain substances which are highly polluting to the environment. Unauthorized disposal of the foregoing waste material is punishable by law.